



aluminumnow

Maritime Solutions

Tel: UK: +44 (0) 208 133 9203

+44 (0) 745 238 4267

USA: +1 (206) 866 5730

AUSTRALIA: +61 (08) 6102 0192

NIGERIA: +234 (0) 703 883 3437

+234 (0) 816 265 1068

Skype:- alunow

AluPatrol 12m Aluminum Coastal Patrol Boat



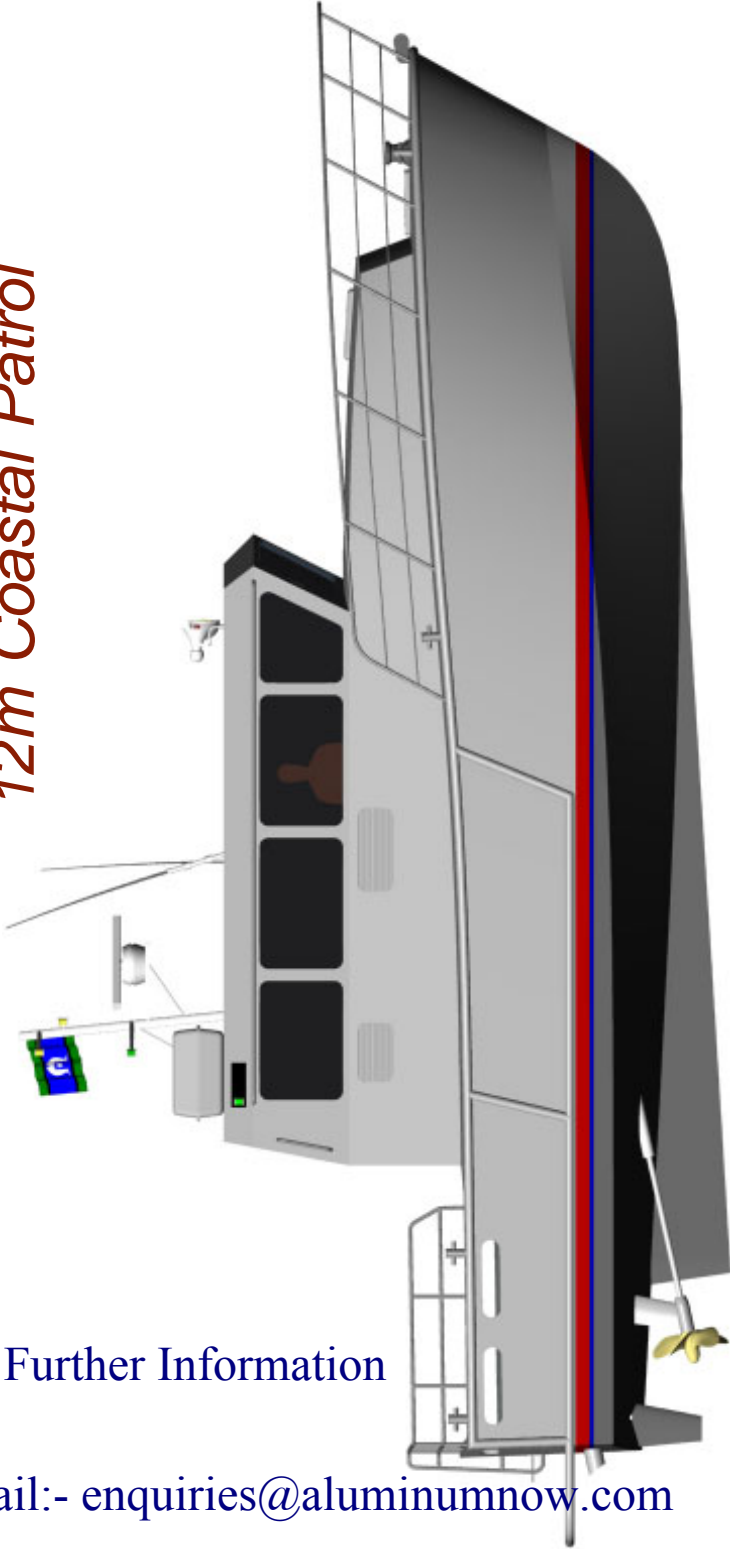
LOA:	13.0m
Lmoulded:	11.9m
LWL :	10.9m
Beam :	3.6m
Draft :	1.2m
Fuel :	1800lts
Water :	500lts
Main Engines :	2 x Cummins6CTA8.3M 321kW@2600rpm
Gearbox:	ZF 286A
Propulsion :	2 x 26" FPP
Speed (max) :	32 knots
Cruise:	24 knots



Suite 405, Henry House, 275 New North Road, England, UK

Email:- enquiries@aluminumnow.com Web:- www.aluminumnow.com , www.aluminumnowturkey.com
www.nigeriashipbuilding.com, www.green-tug.com, www.patrolboats-africa.com, www.aluminumnownigeria.com

12m Coastal Patrol



LOA : 13.0m
L moulded: 11.9m
LWL : 10.9m
Beam : 3.6m
Draft : 1.2m
Fuel : 1800lts
Water : 500lts
Main Engines : 2 x Cummins
6CTA8.3M
321kW@2600rpm
Gearbox: ZF 286A
Propulsion : 2 x 26" FPP
Speed (max) : 32 knots

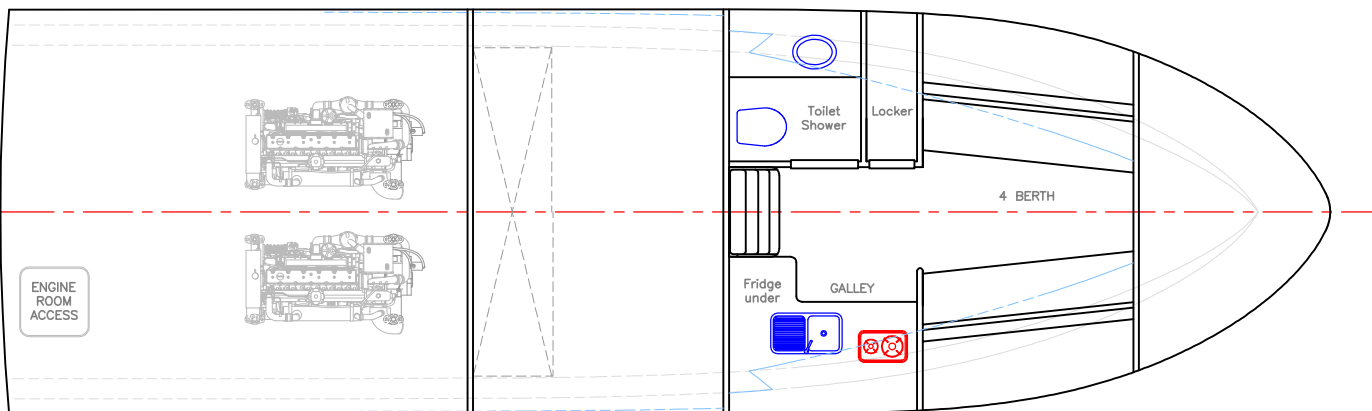
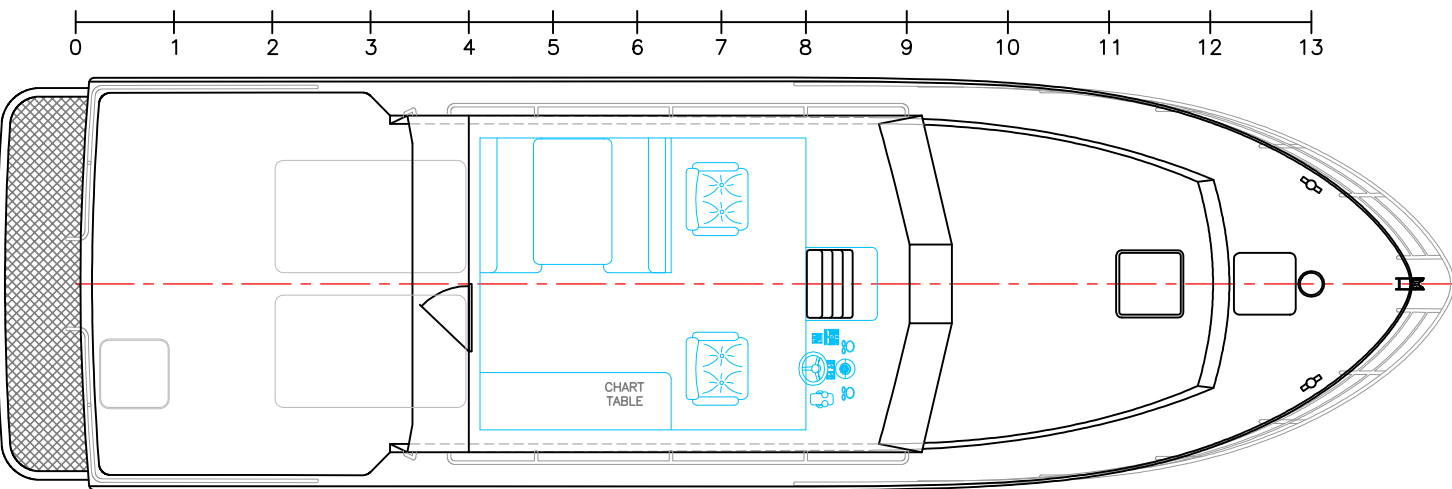
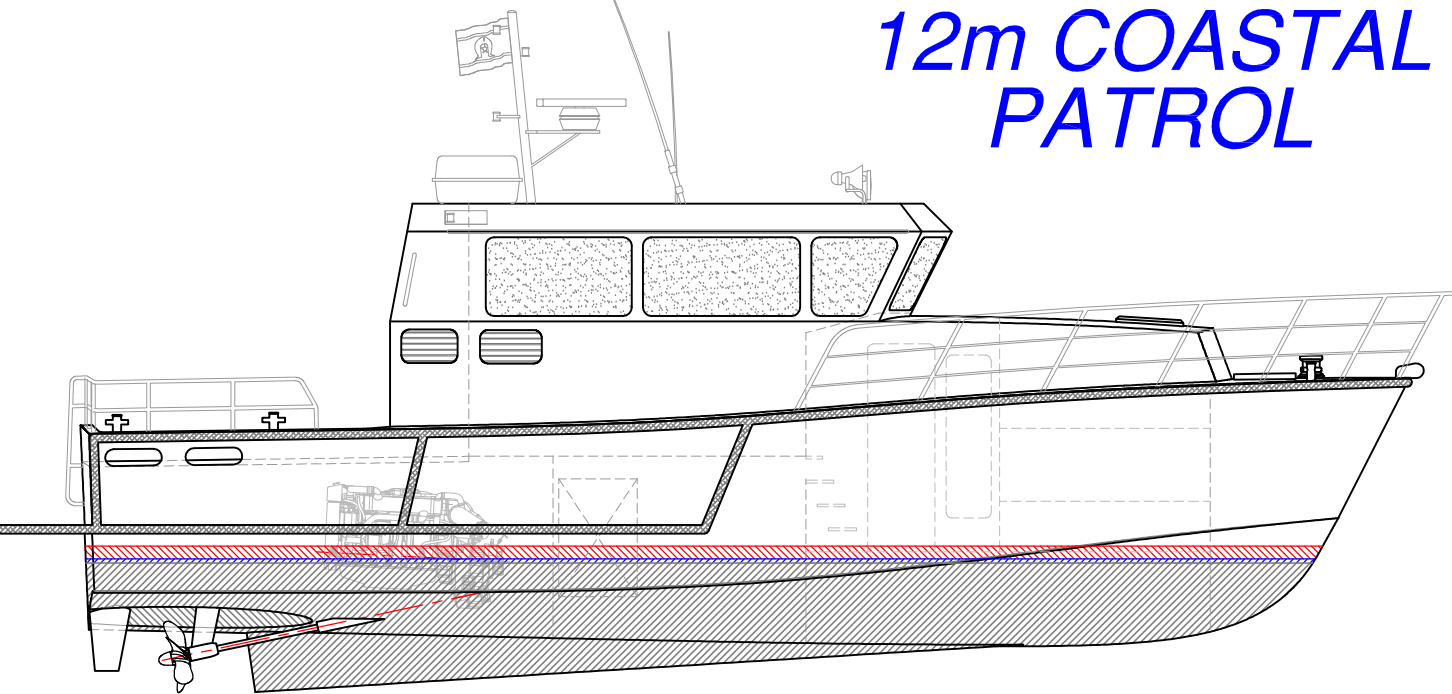


OF ÚæI IÆG ÆI æææ

For Further Information

Email:- enquiries@aluminumnow.com

12m COASTAL PATROL



Length Overall	13.00 metres
Length Moulded	11.90 metres
Length WL	10.90 metres
Beam	3.60 metres
Draft	1.2 metres
Construction	Marine Grade Aluminium
Maximum Speed	32 knots
Cruising Speed	24 knots

Main Engines	2 x CUMMINS 6CTA8.3-M
	321kW @ 2600rpm
Gearbox	ZF 302IV 2.18:1 ratio
Propulsion	2 x 26" fixed pitch four blade prop
Fuel Capacity	1,800 litres
Freshwater	500 litres
Aft Deck Area	9.2 m2